

Cameron Carbon

INCORPORATED

Activated Carbon
& Related Technology

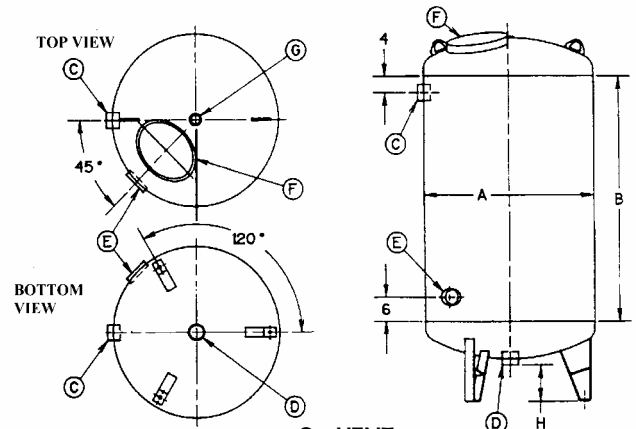
P.O. Box 995 Havre de Grace MD 21078 USA
Toll Free: (800) 394-6844
Tel: +1 (410) 942-0240 • Fax: +1 (410) 942-0242
www.cameroncarbon.com • sales@cameroncarbon.com

Model	Flow* (CFM)	ΔP^* (in w.g.)	Diameter A (in)	Sidshell B (in)	OAH (in approx)	Carbon (lb)	Full Vessel (lb)
VC2460HP-450	31 — 314	7.5	24	60	75	450	700
VC2472HP-525	31 — 314	8.9	24	72	87	525	900
VC3060HP-675	49 — 490	6.7	30	60	79	675	1,050
VC3660HP-1000	70 — 700	7.5	36	60	84	1,000	1,650
VC4260HP-1400	96 — 960	7.0	42	60	88	1,400	2,475
VC4860HP-1850	125 — 1,250	7.8	48	60	95	1,850	2,900
VC5460HP-2350	159 — 1,590	7.4	54	60	97	2,350	3,650
VC6672HP-4200	238 — 2,380	9.2	66	72	117	4,200	6,600
VC7272HP-5000	283 — 2,830	8.4	72	72	119	5,000	7,700

*Flow rate and ΔP ranges based on 10 — 100 CFM/ft² bed face area.

Carbon and full vessel weights are approximate and based on average media bulk density of 30 lb/ft³
Optional 50 psig flat base forkliftable skid mounted units, add 6" to sidshell length & change model number from "HP" to "FB" (example: VC3660HP-1000 becomes VC3666FB-1000)

Dia. (in)	C & D Fittings	E Opening	F Opening	G (in) Spud	H (in) Distance
24, 30	2" NPT	4" x 6" handhole	4" x 6" handhole	1.25	6
36, 42	3" NPT	4" x 6" handhole	11" x 15" manway	2	9
48, 66, 72	4" NPT	4" x 6" handhole	11" x 15" manway	2	12



G = VENT
C = INLET
D = DRAIN
E & F = ACCESS