

Cameron Carbon

INCORPORATED

Activated Carbon
& Related Technology

P.O. Box 995 Havre de Grace MD 21078 USA
Toll Free: (800) 394-6844
Tel: +1 (410) 942-0240 • Fax: +1 (410) 942-0242
www.cameroncarbon.com • sales@cameroncarbon.com

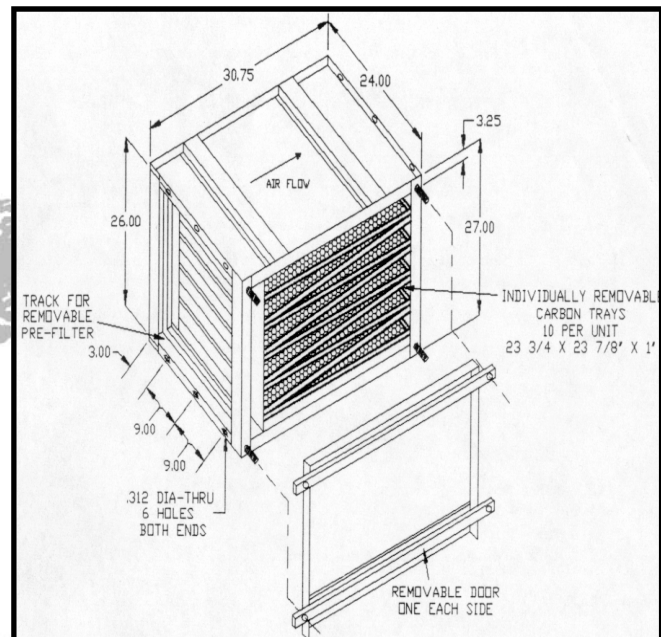
Side Access Housing VBS-2000

The rugged factory assembled housing can be stacked to accommodate any number of carbon trays that your air flow requires. It is available with a 2" (standard) or 4" (optional) pre-filter track. A final track can be added when the system design requires it. Outward turned 1 1/2" flanges make installation to the duct system simple and easy.

Side access housings are also available in a one piece design with both pre- and post-filters, including 12" deep rigid box filters.

HOUSING FEATURES:

Easy access from two sides.
All metal to metal components sealed.
Rugged 16 gauge CRS steel construction. Doors are removable and come with gasket to completely enclose the filters, eliminating bypass of contaminated air.



CARBON HOUSING DIMENSIONS

Dimensions based on pre-filter actual face size 23 5/8" square and 10 carbon trays (24" x 24" x 1") per one-high housing. All dimensions are in inches.

1/2 High	15	1 High	27	1 1/2 High	42	2 High	54
2 1/2 High	69	3 High	81	3 1/2 High	96	4 High	108
1 Wide	24	1 1/2 Wide	38.5	2 Wide	50.5	2 1/2 Wide	62.5
3 Wide	74.5	3 1/2 Wide	86.5	4 Wide	98.5	4 1/2 Wide	110.5
5 Wide	122.5	5 1/2 Wide	134.5	6 Wide	146.5		

- Housing depths: with 2" pre-filter 30.75", with 4" pre-filter 32.75"
- 0.32" W. G. resistance @ 500 fpm per 24" square face opening
- The above widths are with the doors off add 1.5" for each door

This information has been gathered from standard reference materials and/or test procedures and is believed to be true and accurate. It is offered solely for your consideration and verification. None of the information presented shall be construed as constituting a warranty or representation, expressed, written, or implied, for which we assume legal responsibility or that the information or goods described is fit for any particular use either alone or in combination with other goods or processes, or that its use does not conflict with existing patent rights. No license is granted to infringe on any patent rights or practice any patent inversion.