

Cameron Carbon

INCORPORATED

Activated Carbon
& Related Technology

P.O. Box 995 Havre de Grace MD 21078 USA
Toll Free: (800) 394-6844
Tel: +1 (410) 942-0240 • Fax: +1 (410) 942-0242
www.cameroncarbon.com • sales@cameroncarbon.com

Front Access Housing VBH-1000

Rugged factory assembled housing can be bolted together to form banks of any capacity.

Available with pre-filter and/or post-filter tracks.

Will fit many existing holding frames.

Easy installation as front or rear access.

Rugged 14 gauge CRS steel construction.

Black powder coated finish.

Removable one-piece gasketed grid.

0.22 in w.g. resistance at 500 ft/min.

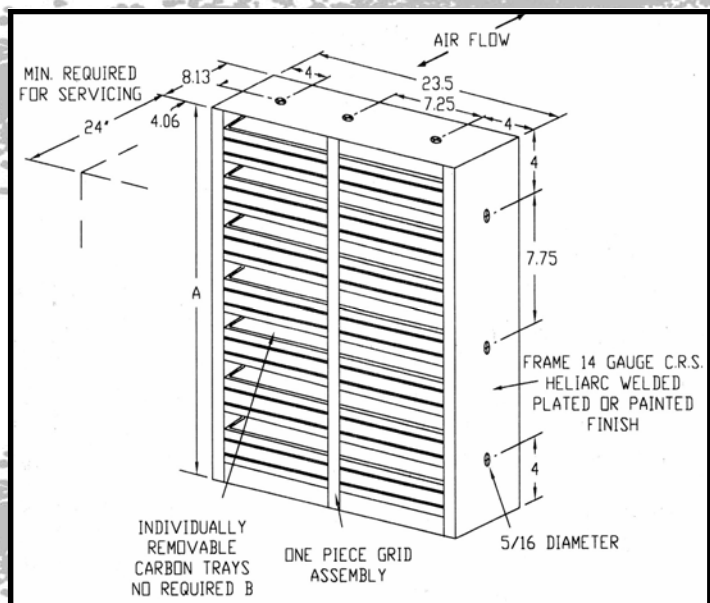
High single-pass efficiency.

Removable/refillable trays.

500 ft/min design velocity.

Self-supporting frame.

Available in half-size.



Model	Carbon	"A"	"B"	Flow @ 0.22 in w.g. ΔP*
VBH-1000	45 lb	23 1/2	12	1,000 CFM
VBH-1000H	22.5 lb	11 7/8	6	500 CFM

* At 500 ft/min design velocity

This information has been gathered from standard reference materials and/or test procedures and is believed to be true and accurate. It is offered solely for your consideration and verification. None of the information presented shall be construed as constituting a warranty or representation, expressed, written, or implied, for which we assume legal responsibility or that the information or goods described is fit for any particular use either alone or in combination with other goods or processes, or that its use does not conflict with existing patent rights. No license is granted to infringe on any patent rights or practice any patent invention.